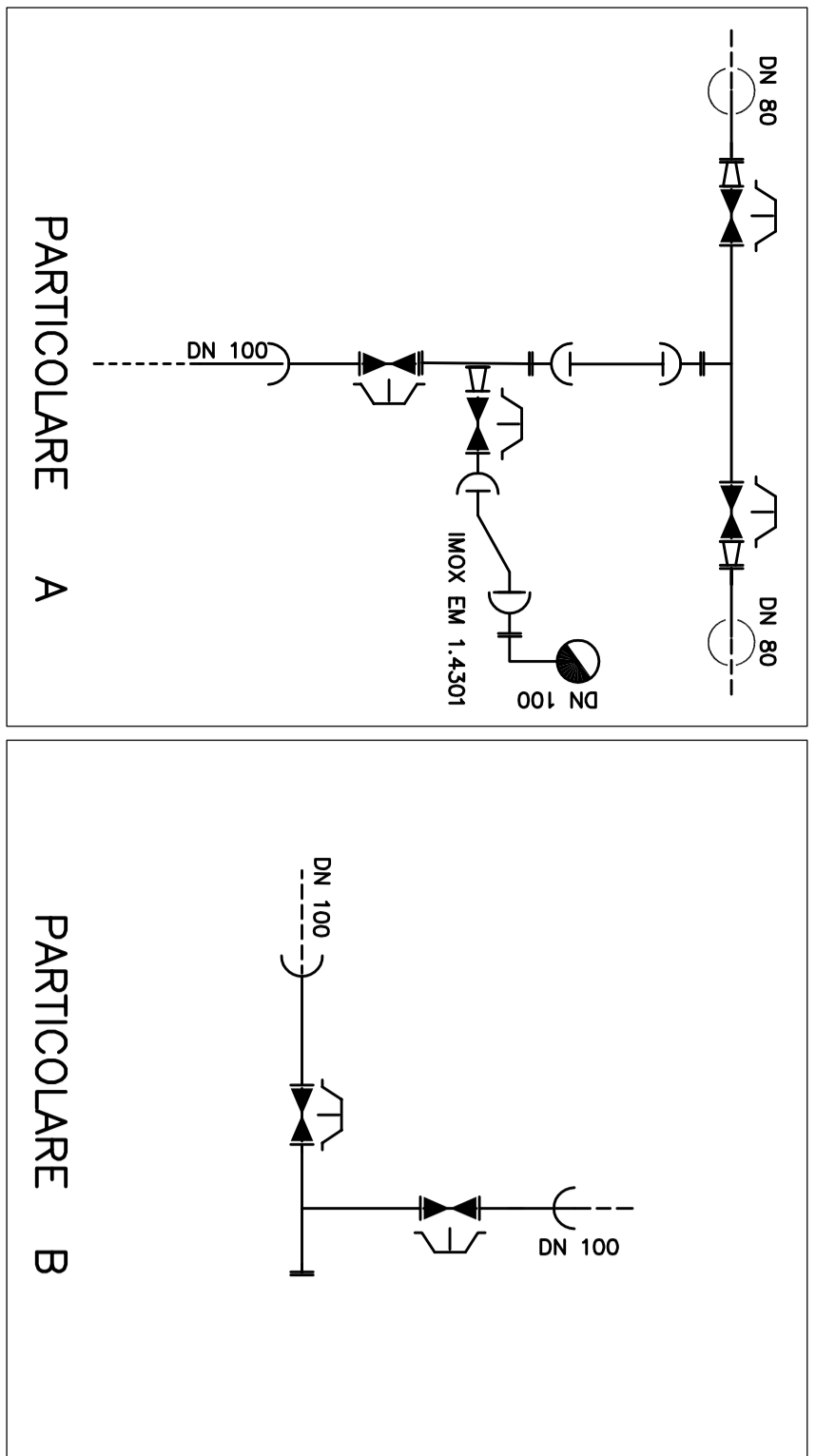


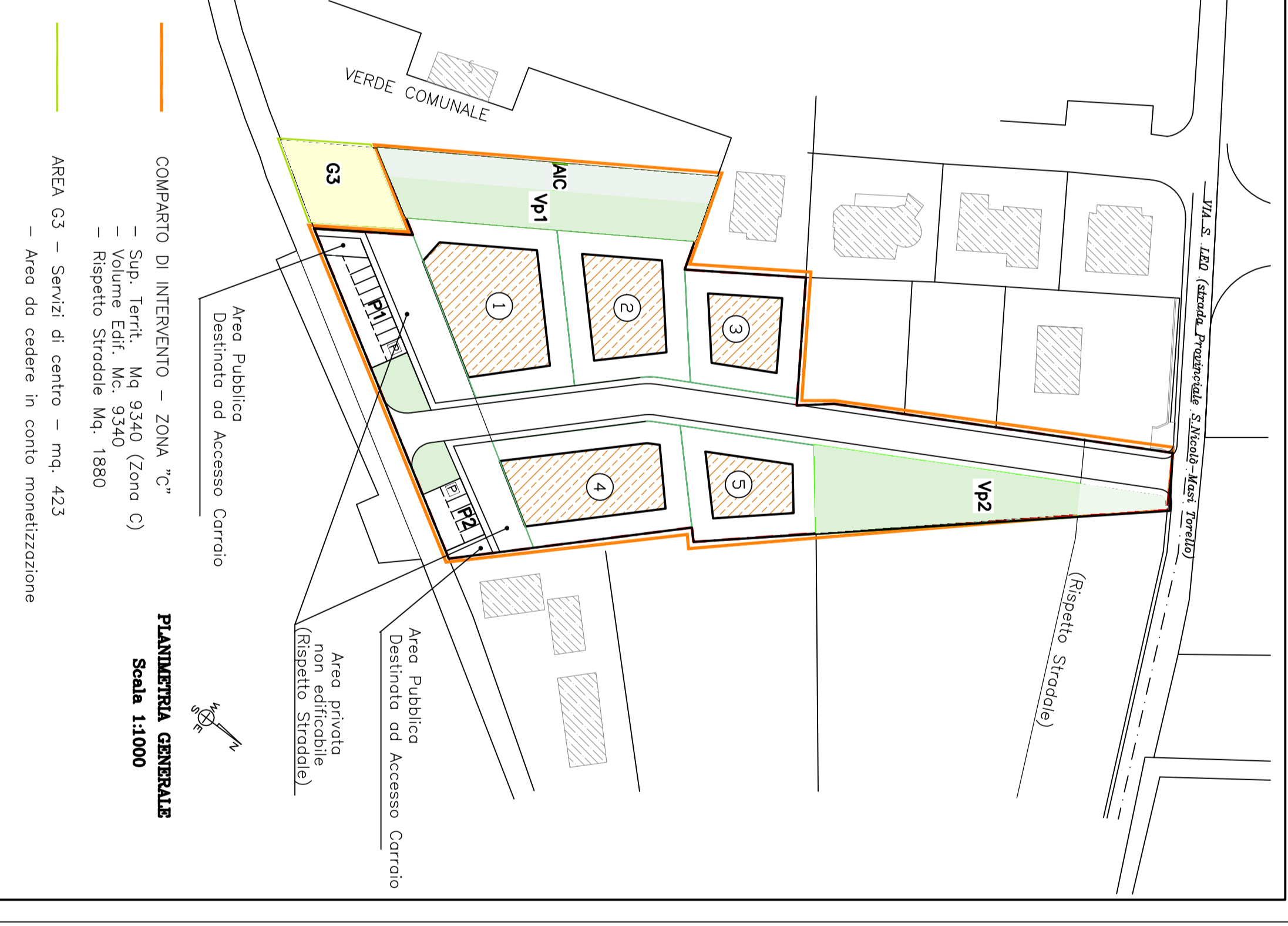
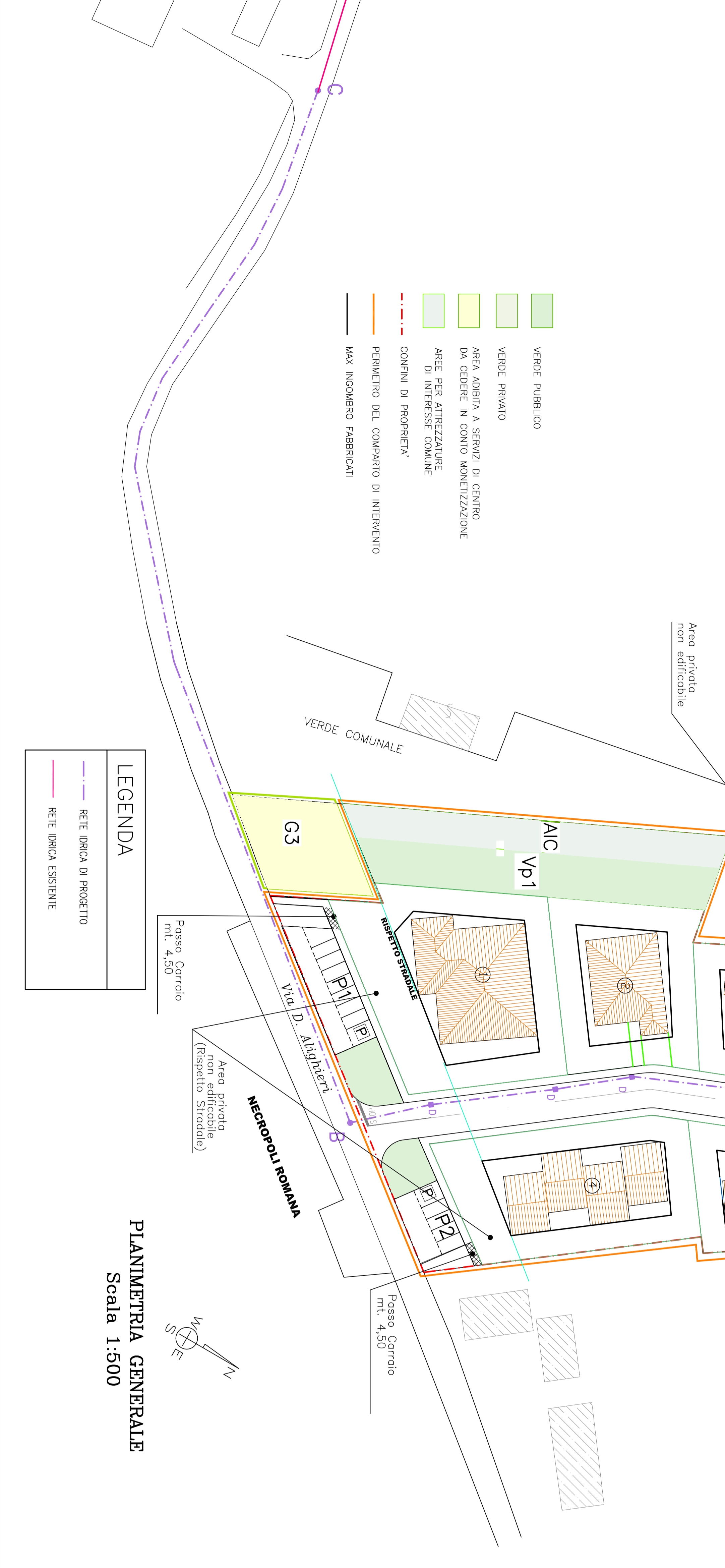
LEGENDA	
	RETE IDRICA ESISTENTE
	RETE IDRICA DI PROGETTO
	BOUT
	TOLUPE
	PEZZO A T FUMARIO
	SANACRUSCA
	ACCESSO SOTTERRANEO
	ALACCOMMO LORO



- VERDE PUBBLICO
- VERDE PRIVATO
- AREA ADIBITA A SERVIZI DI CENTRO DA CEDERE IN CONTO MONETIZZAZIONE
- AREE PER ATTREZZATURE DI INTERESSE COMUNE
- CONFINI DI PROPRIETA'
- PERIMETRO DEL COMPARTO DI INTERVENTO
- MAX INCONGRUO FABBRICATI

LEGENDA	
	RETE IDRICA DI PROGETTO
	RETE IDRICA ESISTENTE

PLANIMETRIA GENERALE
Scala 1:500



COMUNE DI VOCHIERA	
PLANIMETRIA GENERALE Scala 1:2000 <small>Comune e Provincia (01) - Via Roma, 30/32/34/36/38/40/42/44/46/48/50/52/54/56/58/60/62/64/66/68/70/72/74/76/78/80/82/84/86/88/90/92/94/96/98/100/102/104/106/108/110/112/114/116/118/120/122/124/126/128/130/132/134/136/138/140/142/144/146/148/150/152/154/156/158/160/162/164/166/168/170/172/174/176/178/180/182/184/186/188/190/192/194/196/198/200/202/204/206/208/210/212/214/216/218/220/222/224/226/228/230/232/234/236/238/240/242/244/246/248/250/252/254/256/258/260/262/264/266/268/270/272/274/276/278/280/282/284/286/288/290/292/294/296/298/300/302/304/306/308/310/312/314/316/318/320/322/324/326/328/330/332/334/336/338/340/342/344/346/348/350/352/354/356/358/360/362/364/366/368/370/372/374/376/378/380/382/384/386/388/390/392/394/396/398/400/402/404/406/408/410/412/414/416/418/420/422/424/426/428/430/432/434/436/438/440/442/444/446/448/450/452/454/456/458/460/462/464/466/468/470/472/474/476/478/480/482/484/486/488/490/492/494/496/498/500/502/504/506/508/510/512/514/516/518/520/522/524/526/528/530/532/534/536/538/540/542/544/546/548/550/552/554/556/558/560/562/564/566/568/570/572/574/576/578/580/582/584/586/588/590/592/594/596/598/600/602/604/606/608/610/612/614/616/618/620/622/624/626/628/630/632/634/636/638/640/642/644/646/648/650/652/654/656/658/660/662/664/666/668/670/672/674/676/678/680/682/684/686/688/690/692/694/696/698/700/702/704/706/708/710/712/714/716/718/720/722/724/726/728/730/732/734/736/738/740/742/744/746/748/750/752/754/756/758/760/762/764/766/768/770/772/774/776/778/780/782/784/786/788/790/792/794/796/798/800/802/804/806/808/810/812/814/816/818/820/822/824/826/828/830/832/834/836/838/840/842/844/846/848/850/852/854/856/858/860/862/864/866/868/870/872/874/876/878/880/882/884/886/888/890/892/894/896/898/900/902/904/906/908/910/912/914/916/918/920/922/924/926/928/930/932/934/936/938/940/942/944/946/948/950/952/954/956/958/960/962/964/966/968/970/972/974/976/978/980/982/984/986/988/990/992/994/996/998/1000</small>	
COMUNE DI VOCHIERA PLANIMETRIA GENERALE - Scala 1:2000 Comune e Provincia (01) - Via Roma, 30/32/34/36/38/40/42/44/46/48/50/52/54/56/58/60/62/64/66/68/70/72/74/76/78/80/82/84/86/88/90/92/94/96/98/100/102/104/106/108/110/112/114/116/118/120/122/124/126/128/130/132/134/136/138/140/142/144/146/148/150/152/154/156/158/160/162/164/166/168/170/172/174/176/178/180/182/184/186/188/190/192/194/196/198/200/202/204/206/208/210/212/214/216/218/220/222/224/226/228/230/232/234/236/238/240/242/244/246/248/250/252/254/256/258/260/262/264/266/268/270/272/274/276/278/280/282/284/286/288/290/292/294/296/298/300/302/304/306/308/310/312/314/316/318/320/322/324/326/328/330/332/334/336/338/340/342/344/346/348/350/352/354/356/358/360/362/364/366/368/370/372/374/376/378/380/382/384/386/388/390/392/394/396/398/400/402/404/406/408/410/412/414/416/418/420/422/424/426/428/430/432/434/436/438/440/442/444/446/448/450/452/454/456/458/460/462/464/466/468/470/472/474/476/478/480/482/484/486/488/490/492/494/496/498/500/502/504/506/508/510/512/514/516/518/520/522/524/526/528/530/532/534/536/538/540/542/544/546/548/550/552/554/556/558/560/562/564/566/568/570/572/574/576/578/580/582/584/586/588/590/592/594/596/598/600/602/604/606/608/610/612/614/616/618/620/622/624/626/628/630/632/634/636/638/640/642/644/646/648/650/652/654/656/658/660/662/664/666/668/670/672/674/676/678/680/682/684/686/688/690/692/694/696/698/700/702/704/706/708/710/712/714/716/718/720/722/724/726/728/730/732/734/736/738/740/742/744/746/748/750/752/754/756/758/760/762/764/766/768/770/772/774/776/778/780/782/784/786/788/790/792/794/796/798/800/802/804/806/808/810/812/814/816/818/820/822/824/826/828/830/832/834/836/838/840/842/844/846/848/850/852/854/856/858/860/862/864/866/868/870/872/874/876/878/880/882/884/886/888/890/892/894/896/898/900/902/904/906/908/910/912/914/916/918/920/922/924/926/928/930/932/934/936/938/940/942/944/946/948/950/952/954/956/958/960/962/964/966/968/970/972/974/976/978/980/982/984/986/988/990/992/994/996/998/1000	
STATO DI PROGETTO PLANIMETRIA GENERALE PLANIMETRIA ACQUEDOTTO	Edilizia Cas. Pia Reno (03/72 - (4121) FERBARA
TAV 6 PIANO PARTICOLAREGGIATO DI INIZIATIVA PRIVATA LOTTIZZAZIONE DI EDILIZIA PRIVATA Voce n. 16, Alleg. 1	MC Genova 2017 Scala: 1:1.000 e 1:500
Proprietario: AREA MASSIMO FINOTTI Via S. Luca, 100 - 41012 VOCHIERA (MO)	Collaboratori: STUDIO RINOTTI Via S. Luca, 100 - 41012 VOCHIERA (MO)
Valore e d. Comune	Valore e d. Comune